

# Servomotor Replacement

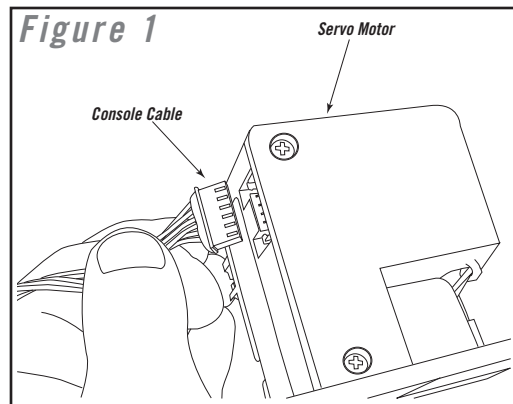
(EX-22, EX-33, EX-44, CSE 3.5, CSE 4.5, EG5)

## Tools Required:

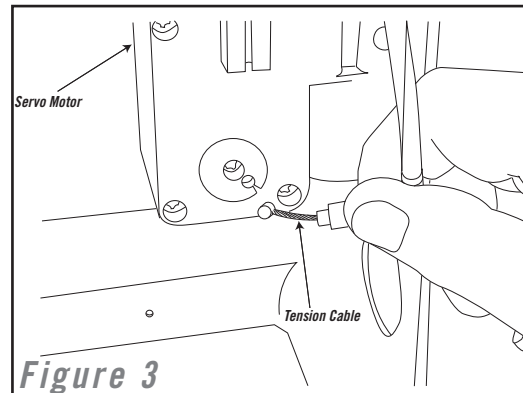
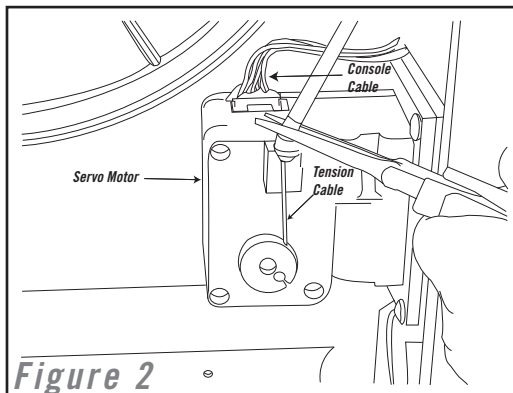
- Phillips Screwdriver
- 13mm, 17mm Socket and Combination Wrenches
- 4mm, 5mm Allen Wrenches
- Needle Nose Pliers

## Procedure:

- 1) Turn power on and press start on console.
- 2) Set resistance level to highest position and turn off console.
- 3) Unplug power supply from elliptical.
- 4) Remove side covers
- 5) Disconnect console cable from servomotor. (Figure 1)



- 6) Remove the tension cable from the servomotor. (Figure 2 & 3)



- 7) Remove Servomotor.